



# Align<sup>®</sup> Adjustable Height Workbench

## Installation Instructions

**Motorized Base, Hand-Crank Base, Slide Leg Base**

**Tools Required:**

5/32 Hex Key

3/16 Hex Key

9/16 Opened-end Wrench – Glides

7/16 Opened-end Wrench – Casters

#2 Phillips head Screwdriver

Small to medium Hammer or Mallet

Safety Glasses

Electric/Cordless Screw Gun with #2 Phillips Head Bit

Read instructions entirely before assembling



## **IMPORTANT SAFETY INSTRUCTIONS**

**WARNING** – When using electric appliances, basic precautions should always be followed, including the following:

- Read all the instructions before using the appliance.
- To reduce the risk of injury, close supervision is necessary when an appliance is used near children.
- Do not contact moving parts.
- Only use attachments recommended or sold by the manufacturer.
- Do not use outdoors.
- To disconnect, turn all controls to the off position, then remove plug from outlet.
- Do not unplug by pulling on cord. To unplug, grasp the plug, not the cord.
- Unplug from outlet when not in use and before servicing or cleaning.
- Do not operate any appliance with a damaged cord or plug, or after the appliance malfunctions or is dropped or damaged in any manner. Return appliance to the nearest authorized service facility for examination, repair, or electrical or mechanical adjustment.
- This appliance is provided with double insulation and has no serviceable parts. See additional information for Double Insulated Appliances below.

### **SAVE THESE INSTRUCTIONS**

#### **SERVICING OF DOUBLE-INSULATED APPLIANCES**

In a double-insulated appliance, two systems of insulation are provided instead of grounding. No grounding means is provided on a double-insulated appliance, nor should a means for grounding be added to the appliance. Servicing of a double-insulated appliance requires extreme care and knowledge of the system, and should be done only by qualified service personnel. Replacement parts for a double-insulated appliance must be identical to those parts in the appliance.



#### **CAUTION:**

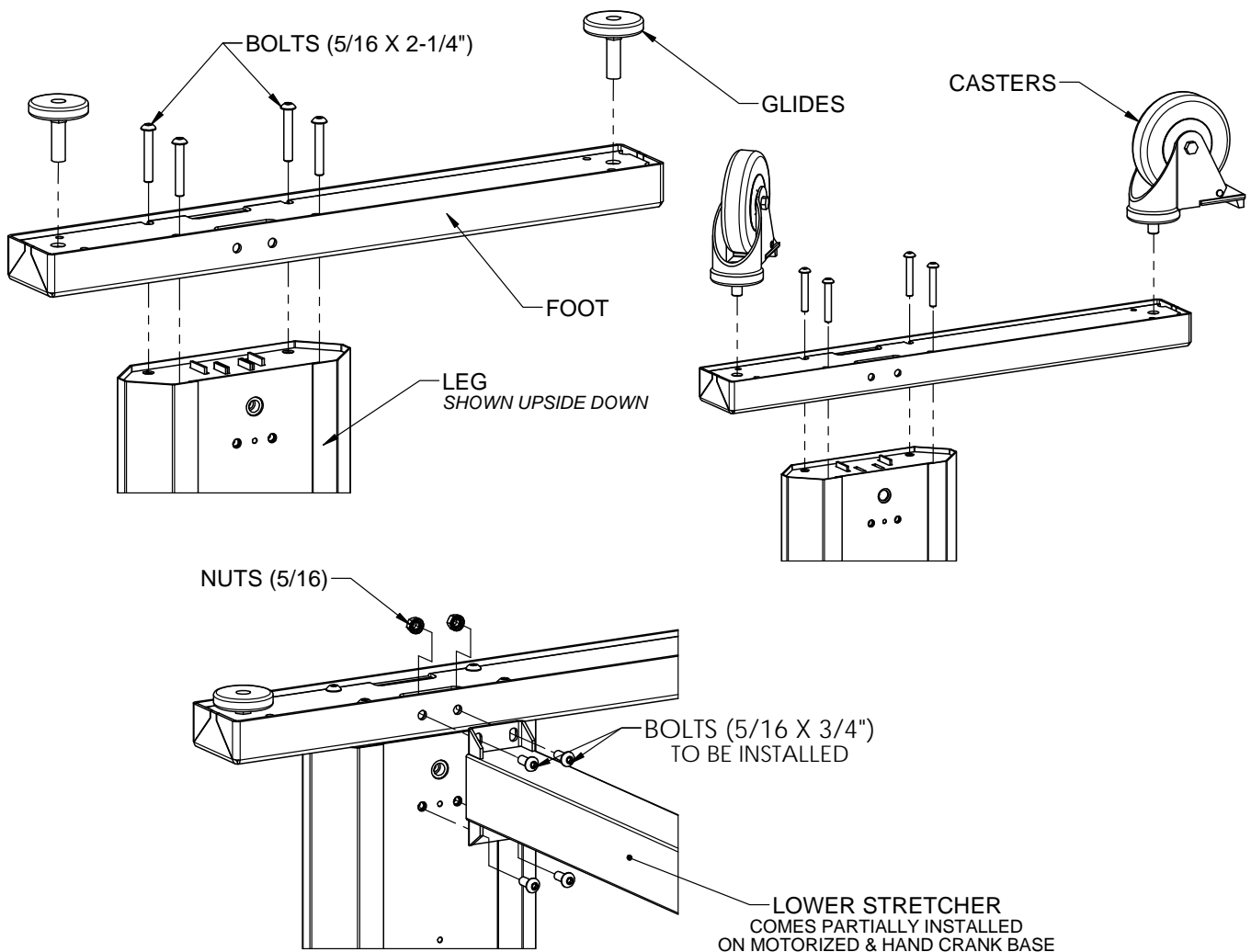
Make sure benches are positioned with adequate clearance to adjacent objects before operating.

# Glide Feet Assembly

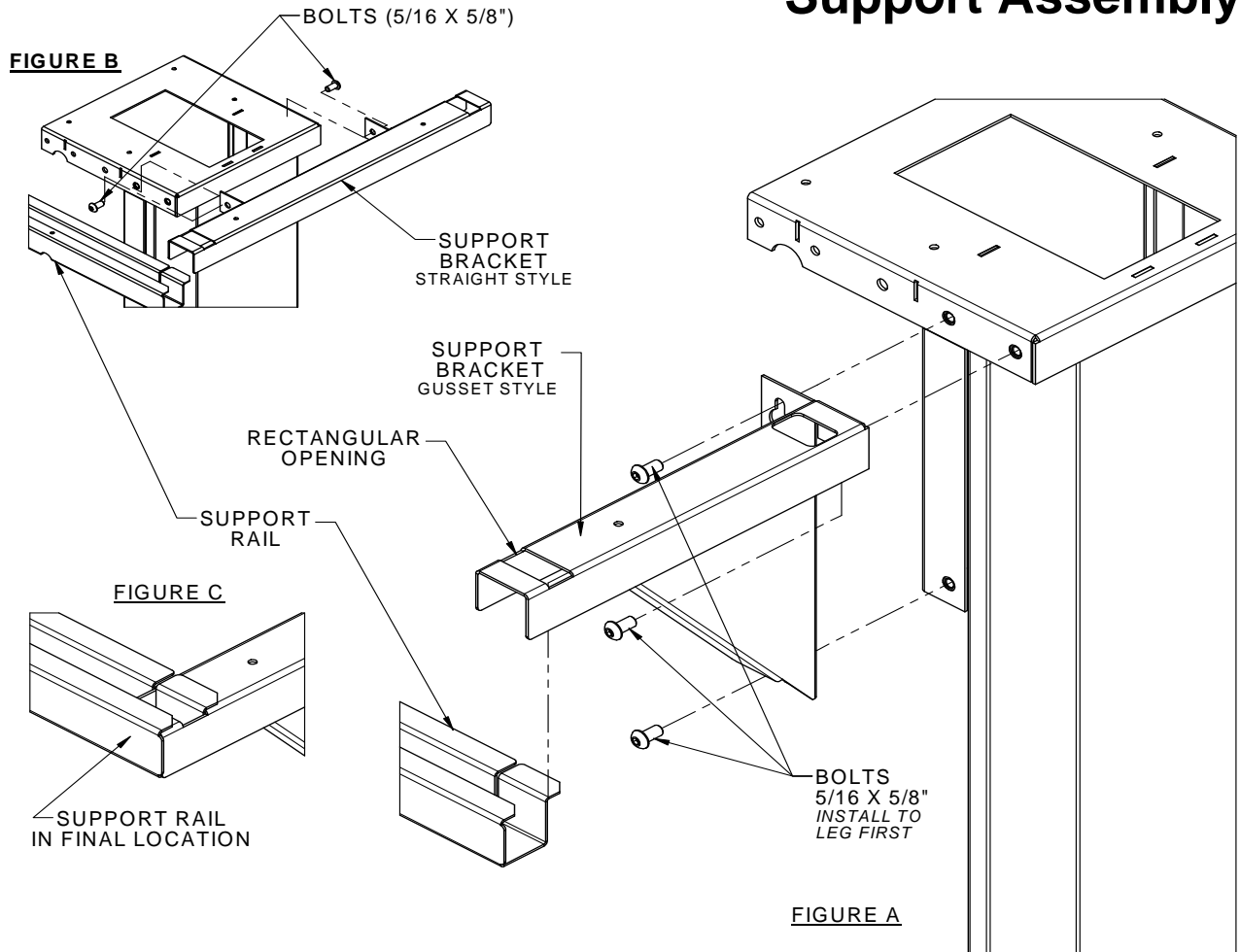
All benches

## Steps:

- a) Loosen the bolts that hold the Lower Stretcher to the side of the Legs.  
*Lower Stretchers are not included with Slide Leg benches.*
- b) Loosely attach Foot to Leg  
Use (4) 5/16 x 2-1/4 long Hex drive bolts  
*If rear justified be sure longer end faces the front of the bench*
- c) Thread leveling Glides or Casters fully into Foot as shown.  
Be sure the casters bottom out on foot.
- d) Attach the Foot to the Lower Stretcher as shown  
Use (2) 5/16 Hex drive bolts and (2) nuts
- e) Repeat steps (a) through (c) for other Leg then tighten all hardware, including all Lower Stretcher hardware.



# Support Assembly



## **Steps:**

### **Gusset Style Supports (Refer to Figure A)**

- a) Thread bolts into the holes shown  
Use (3) 5/16 x 5/8 long Hex drive bolts  
-Keep bolts from bottoming all the way by at least 1/8"
- b) Drop the Support Bracket slots behind the heads of the 3 bolts  
Set/Push down into place & tighten all bolts. Repeat on opposite side or as needed

### **Straight Style Supports (Refer to Figure B)**

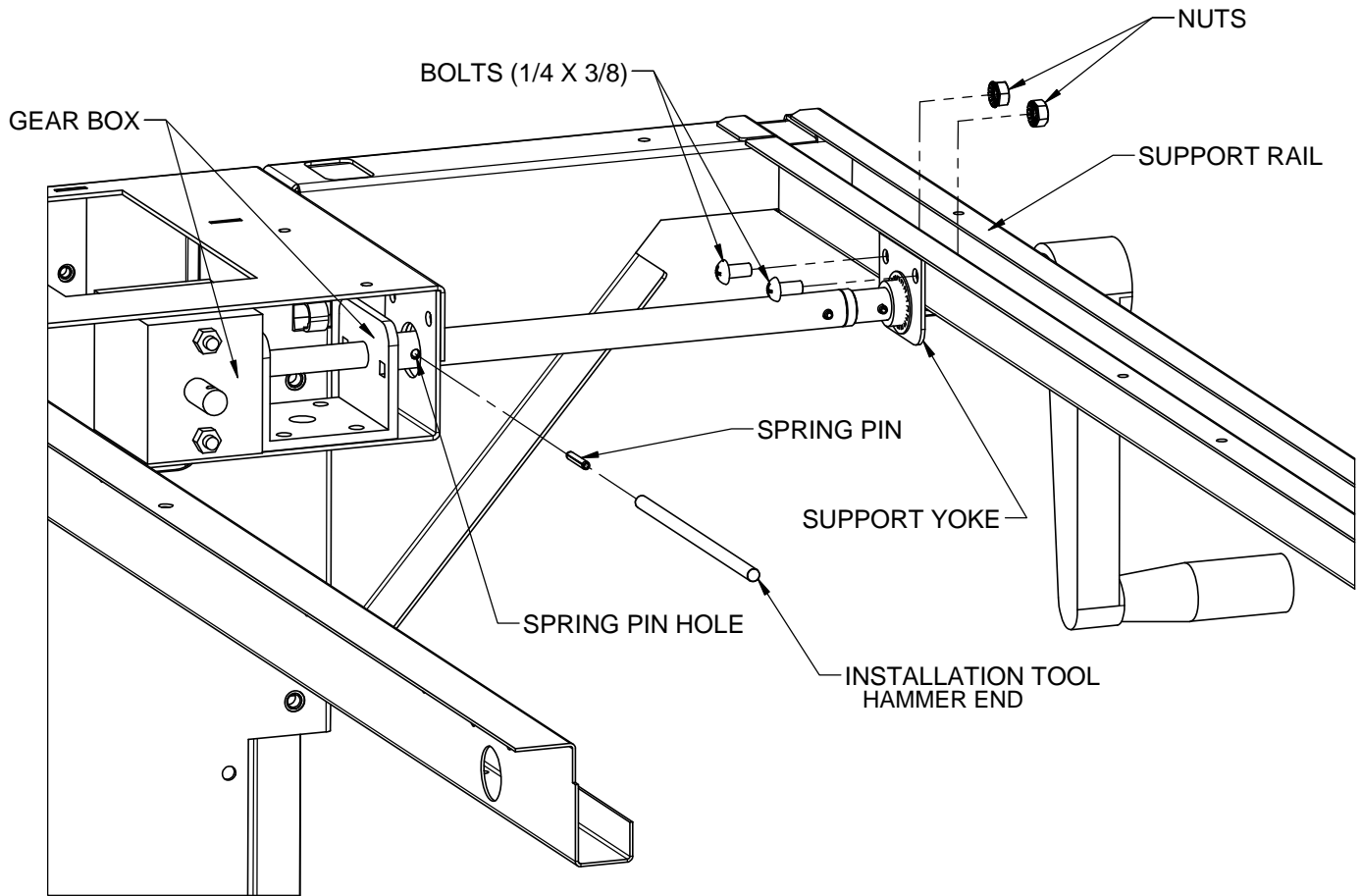
- c) Attach Support as shown  
Use (2) 5/16 x 5/8 long Hex drive bolts. Repeat on opposite side as needed

### **Support Rail to any Support Bracket (Refer to Figures A, B & C)**

- d) Insert the end tabs of the Support Rail up from below through the rectangular openings of the Support Brackets then rotate up & push into place

**Note:** Fastening the Support Rail to the work-surface using all the holes provided is necessary & will secure the Support Rail in position (see page 6).

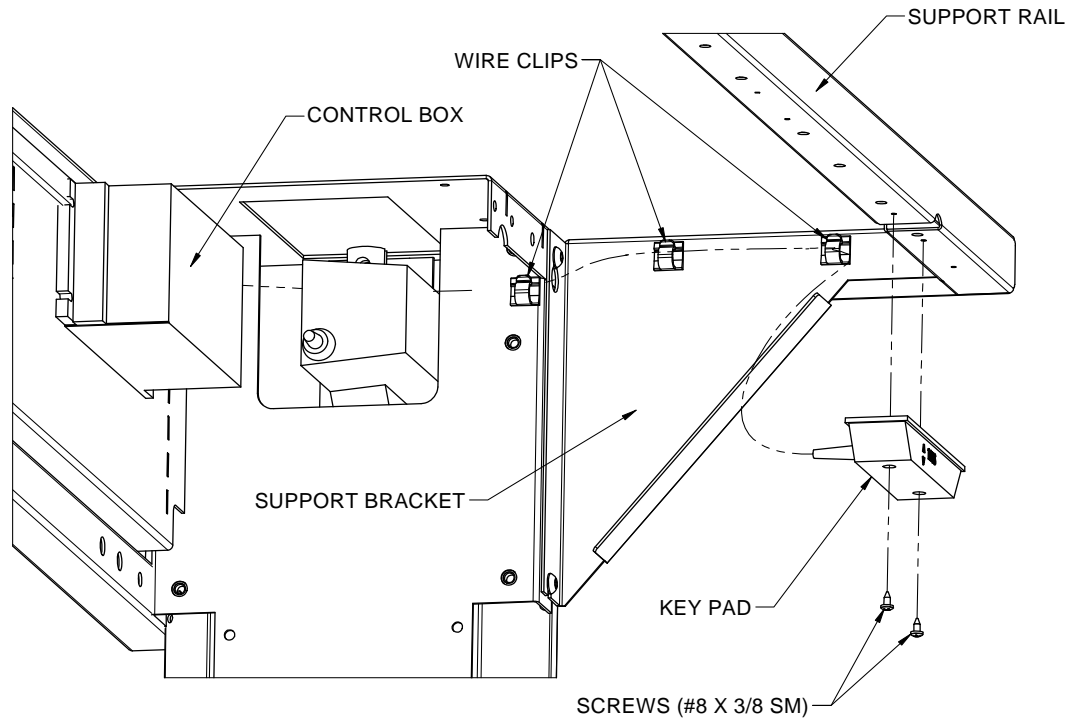
# Hand-Crank Assembly



**Steps: (Safety glasses should be worn when installing the Spring-pin)**

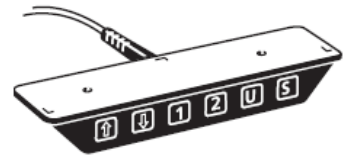
- a) Slide the open end of Hand-Crank Assembly over Gearbox Shaft as shown
- b) Attach the Support Yoke to the Support Rail  
Use (2) 1/4 X 3/8 long Phillips head bolts & (2) nuts
- c) Turn the Crank Assembly to align hole with hole in the Gear Box Shaft  
Insert the Spring-Pin into the Installation Tool (*provided*) and use hammer to start Spring Pin  
Make sure Spring Pin is centered on shaft as the final position

# Motorized Bench - Keypad Assembly & Programming



## Steps:

- a) Fasten Keypad to Support Rail  
Use (2) #8 x 3/8" Phillips head sheet metal screws – Do not over tighten
- b) Plug the Keypad cord into the Control Box  
Loop any excess wire through the cut-out in the rear of the Support Rail
- c) Hook (3) Wire-Clips over the wire  
Peel off backing from the Wire-Clips  
Press into the positions shown



## **Operating Instructions**

Once Base is complete and plugged in;

It is possible to store up to \*four heights into memory as follows:

1. Using Keypad arrow buttons adjust base to desired height
2. \*Press and release button labeled **U**, Followed by either **1** or **2**.  
(This determines which user)\*
3. Press and release button labeled **S**.
4. With-in two seconds press and release any number button to set into memory
5. Repeat as needed or to replace an existing memory setting
6. To recall a stored setting press and release button **U** followed by the user number. Then press and hold the desired memory button until the base stops.

**Warning:** Do not tamper with any of the electrical control or drive components. Servicing should be performed by qualified service personnel only.

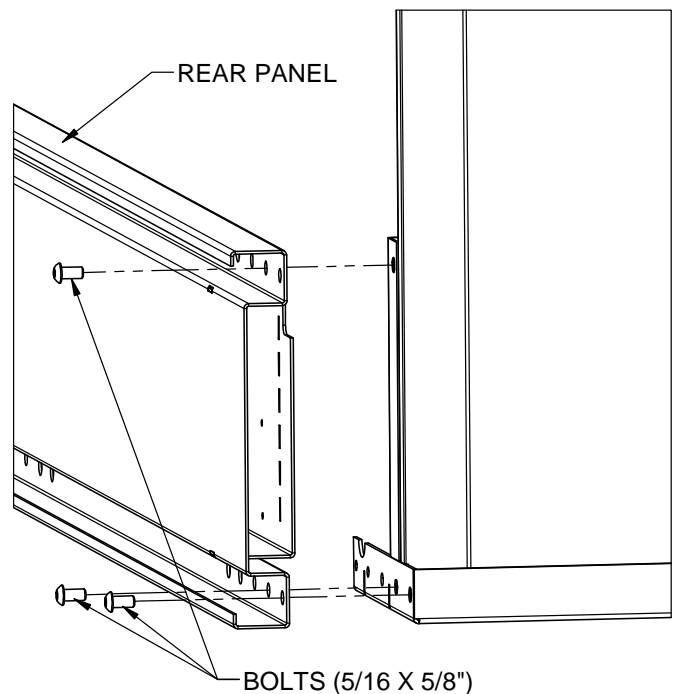
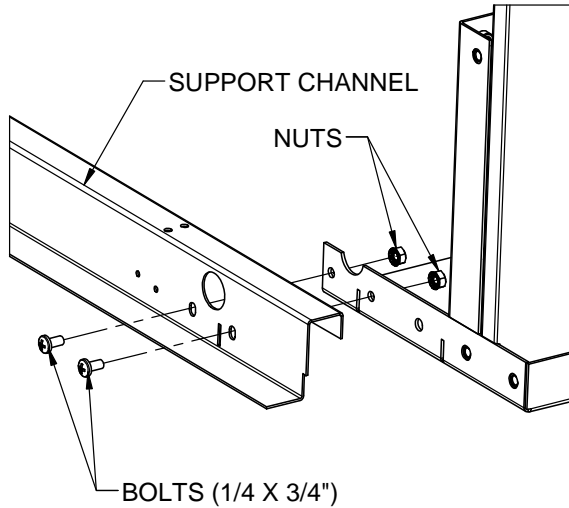
# Slide Leg Base Assembly

Start with legs upside down on floor

## Center Justified Bases:

### Steps:

- a) Loosely attach support channel(s) as shown  
Use (4) 1/4 x 3/4 long Phillips head bolts and (4) nuts
- b) Move other leg into position and repeat step (a)
- c) Tighten all hardware from steps (a) & (b)



## Rear Justified Bases

### Steps:

- a) Loosely attach Rear Panel  
Use (3) 5/16 x 5/8 long Hex drive bolts
- b) Move other Leg into position and repeat step (a)
- c) Tighten all hardware from steps (a) & (b)

# Slide Leg Base Assembly

Continued

## Both Bases

### Steps:

- d) Refer back to page 1 to install Feet and Rear Panel, then proceed to step (e)
- e) Loosen Knob on Legs enough to allow Inner column to move – adjust to desired height and tighten the Knob so that the Bracket fully engages and locks both Columns together.



**Caution: Inner Column of Leg will drop down suddenly if released !**

Have a second person hold the Foot/Inner Column in place while tightening the Knob.


Once the Knob is tight test it by pulling up on Foot to make sure Columns are locked together. Repeat steps (d) through (e) for other leg

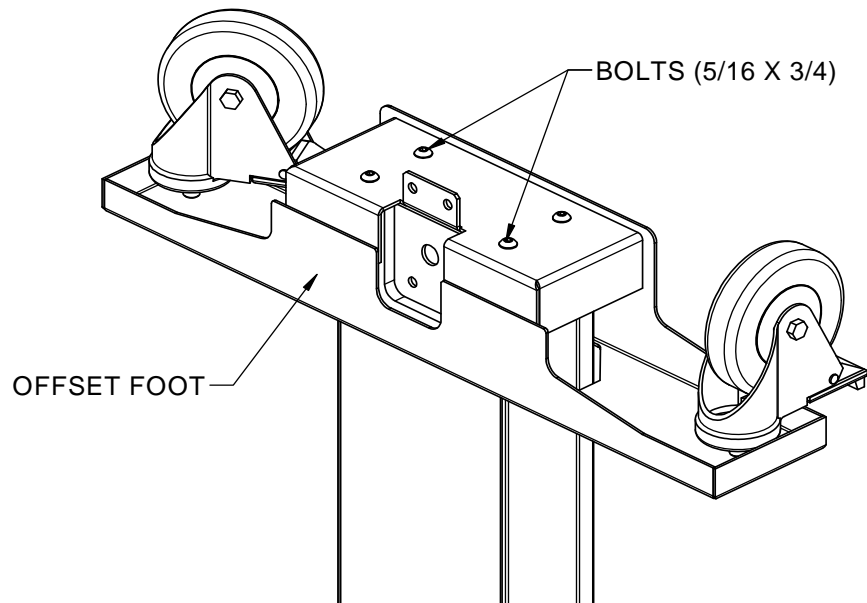
- f) Turn Base upright and refer back to page 2 to install the Support Brackets

# Offset Caster Foot Assembly

*Lower stretcher not shown for clarity*

## Step:

- a) Remove Lower Stretcher  
*Lower Stretchers are not included with Slide Leg Benches*
- a) Attach Offset Foot to Leg  
Use (4) 5/16 x 3/4 long Hex drive bolts
- b) Thread Casters into Foot - as shown.  
***Be sure the casters bottom out on foot!*** 
- c) Attach Lower Stretcher  
Use (2) 5/16 x 3/4 long Hex drive bolts & (2) nuts  
Refer to page (1) if needed for Lower Stretcher assembly
- d) Repeat steps (a) through (c) for other Leg then tighten all hardware



# Work-Surface Assembly

*(Image not shown)*

## **Steps:**

- a) Locate work-surface onto base assembly  
Each side/end overhang should be about 1/2"  
Rear justified bases should be flush to the back of the Rear Panel  
Center justified bases should divide the overhang equally front & rear
- b) Attach Legs and Support Rails/Brackets to work-surface via holes provided  
Use #10 x 3/4 long Phillips head wood screws
  - Only two screws per Leg are required
  - Use screws in all holes provided on Support Rails/Brackets
- c) Level Base as needed with glides once in final position or location

Align® is a trademark of Lista International Corp.  
Making Workspace Work® is a trademark of Lista International Corp.

Creation Date                      Document Number  
5-08-2007                          MD047A3 Rev. 4

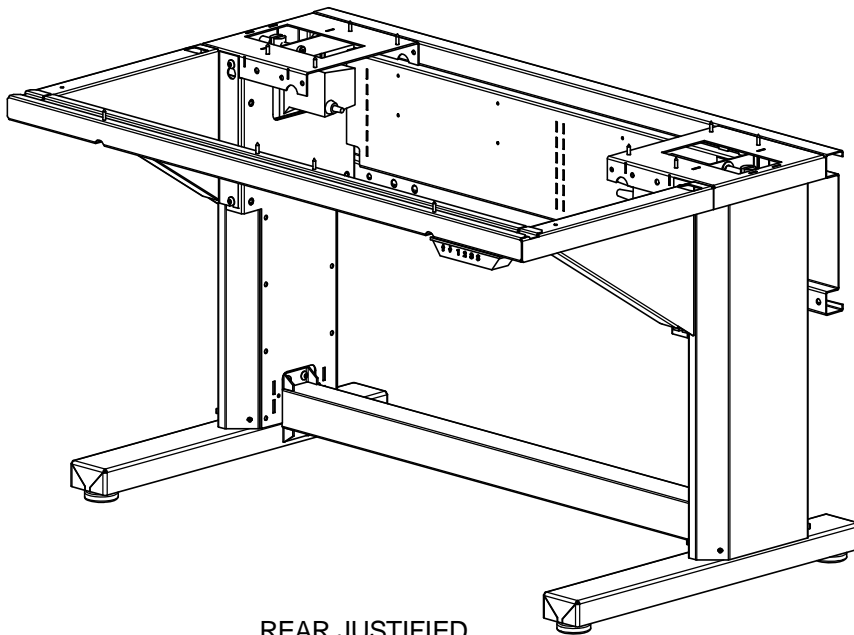
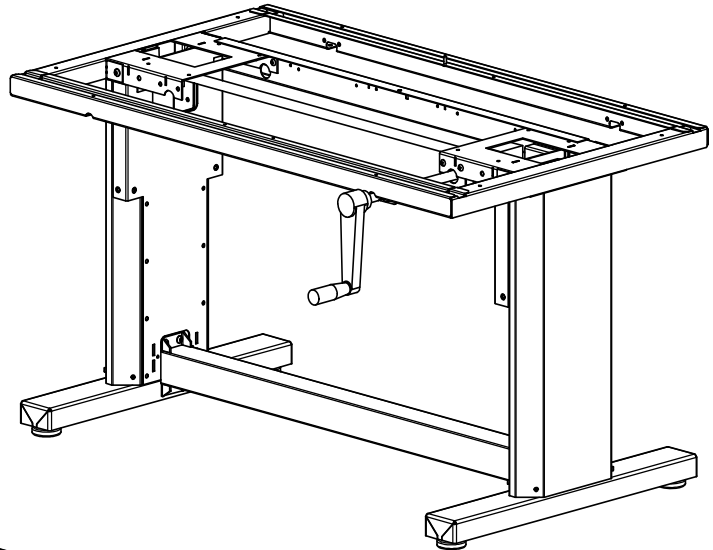
This document is proprietary information of Lista International Corporation. Unauthorized reproduction of any portion of this document is prohibited without written consent of Lista International Corporation. The material in this document is for informational purposes only. It is subject to change without notice.

© 2007 Lista International Corporation  
106 Lowland Street  
Holliston, MA 01746-2094  
E-mail: [sales@listaintl.com](mailto:sales@listaintl.com)

All rights reserved

For questions or technical support call **1-800-722-3020**

CENTER JUSTIFIED



REAR JUSTIFIED

 **LISTA**  
making workspace work®